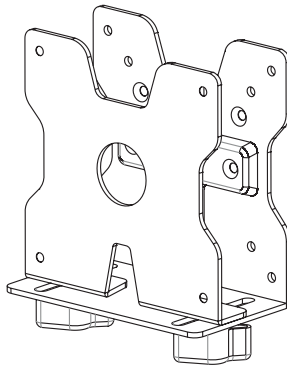


# Installation Instruction



## UNPACKING INSTRUCTIONS

- Carefully open the carton, remove contents and lay out on cardboard or other protective surface to avoid damage.
- Check package contents against the Supplied Parts List in the next page to assure that all components were received undamaged. Do not use damaged or defective parts.
- Carefully read all instructions before attempting installation.

## IMPORTANT SAFETY INFORMATION

Install and operate this device with care. Please read this instruction before beginning the installation, and carefully follow all instructions contained herein. Use proper safety equipment during installation.

Please call a qualified installation contractor for help if you:

- If you don't understand these directions or have any doubts about the safety of the installation.
- If you are uncertain about the nature of your wall, consult a qualified installation contractor.

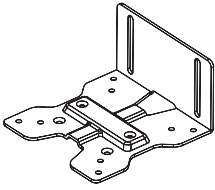
Do not use this product for any purpose or in any configuration not explicitly specified in this instruction. We hereby disclaim any and all liability for injury or damage arising from incorrect assembly, incorrect mounting, or incorrect use of this product.



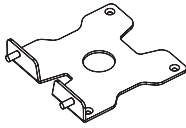
## CAUTION!

**Do not exceed maximum listde weight capacity.Serious injury or property damage may occur!**

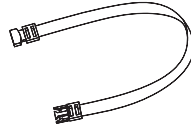
# Supplied Parts List



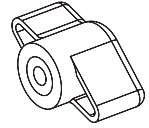
(1)Bracket A



(1)Bracket B



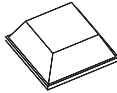
(1)Strap



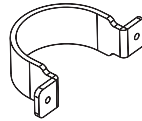
(2)Plastic Knob



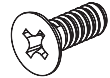
(4)Small Rubber Pad



(2)Large Rubber Pad



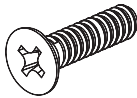
(1)Pole Clamp



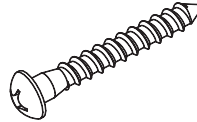
(4)M4x10 Bolt



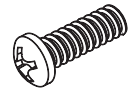
(4)M4 Nut



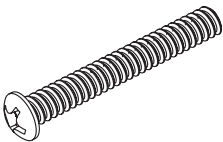
(2)M4x12 Bolt



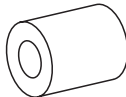
(4)M4x20 Wood Screw



(4)M4x12 Bolt

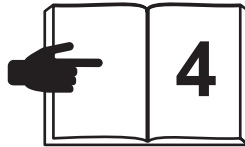
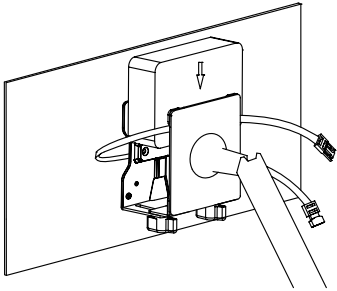


(4)M4x30 Bolt

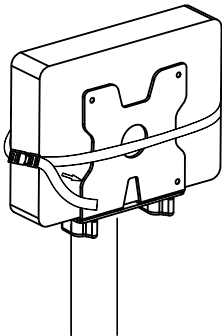


(4)M4 Spacer

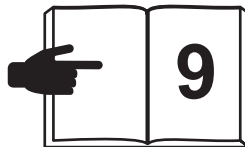
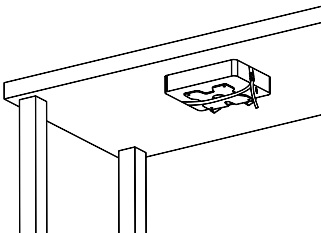
**This Thin Client Mount can be installed as following three methods.**



Tool Needed



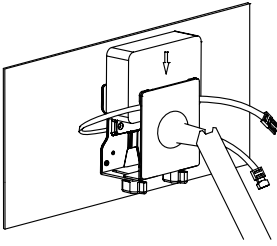
Tool Needed



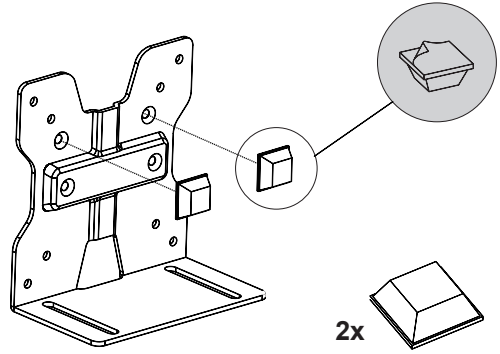
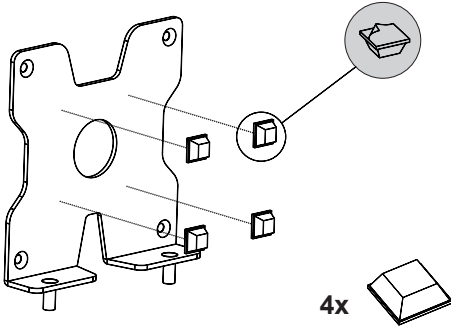
Tool Needed



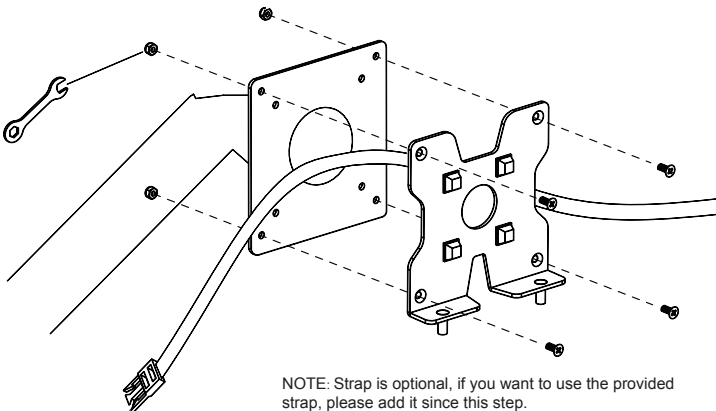
# Install with VESA mount



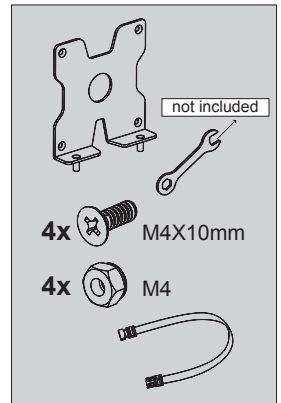
## Step 1 Attach Rubber Pads as shown.



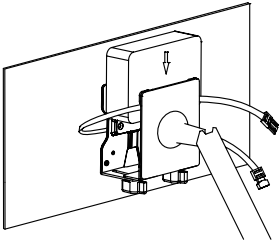
## Step 2 Attach Bracket B shown to a VESA mount.



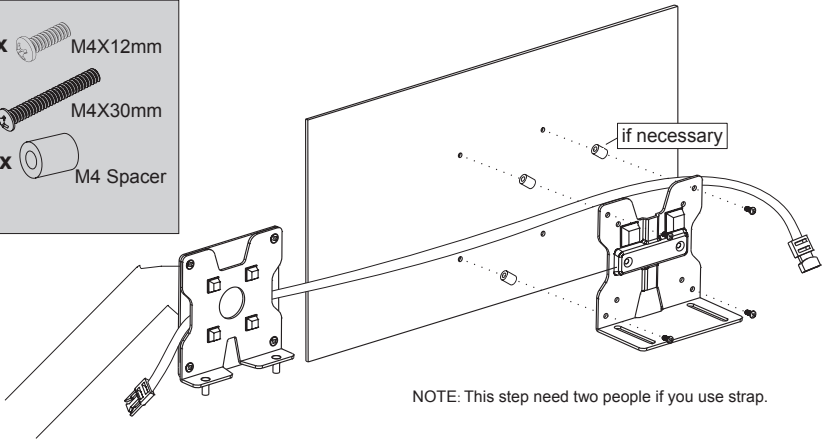
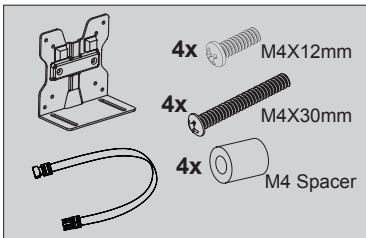
NOTE: Strap is optional, if you want to use the provided strap, please add it since this step.



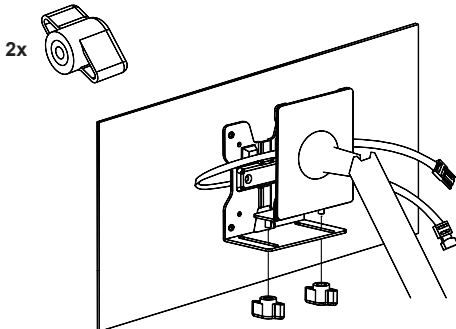
# Install with VESA mount



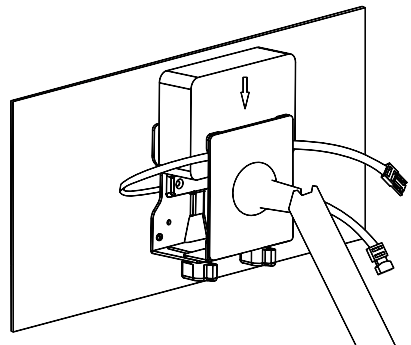
## Step 3 Attach Bracket A to a monitor.

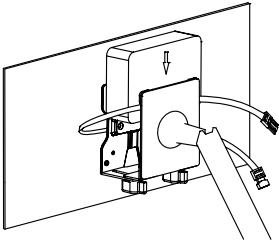


## Step 4 Attach Plastic Knobs.



## Step 5 Attach Thin Client.



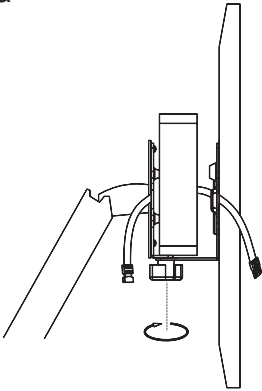


**Step 6**

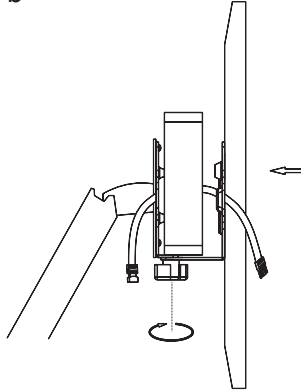
**Secure Thin Client.**

- a. Loosen knobs.
- b. Push brackets together.
- c. Tighten knobs.

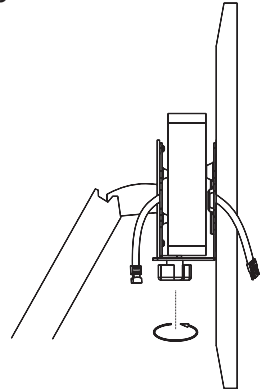
a



b

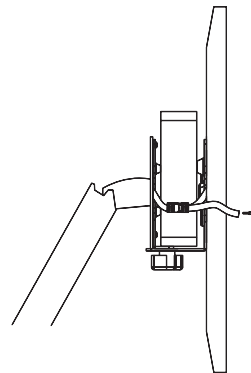
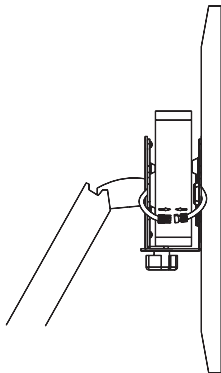


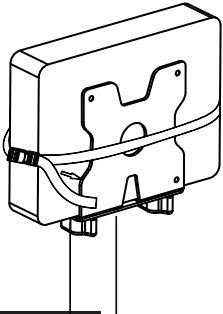
c



**Step 7**

**If you are using the strap and buckle, clip buckle together and tighten strap.**



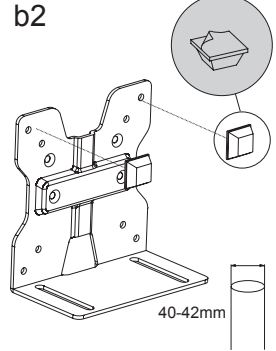
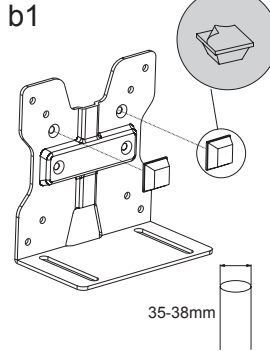
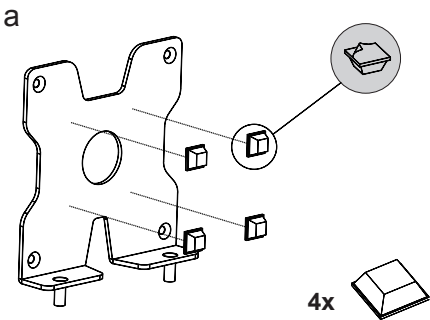


**Step 1**

**Attach Rubber Pads as shown.**

**a & b1.** Rubber Pads placement for 35-38mm pole attachment.

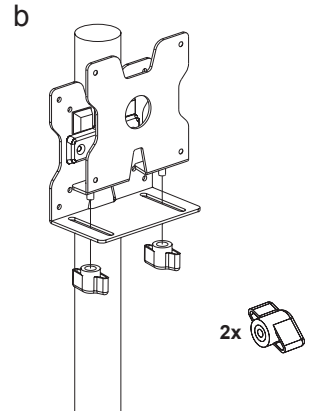
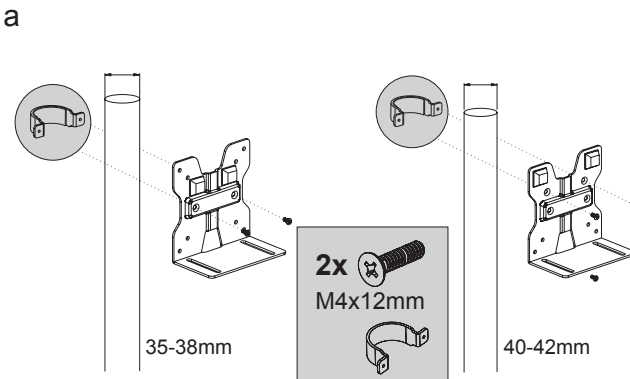
**a & b2.** Rubber Pads placement for 40-42mm pole attachment.

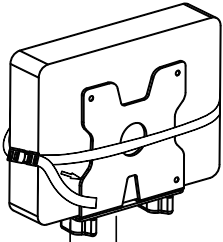


**Step 2**

**a.** Attach Bracket A shown to pole and pole clamp.

**b.** Attach Bracket B.

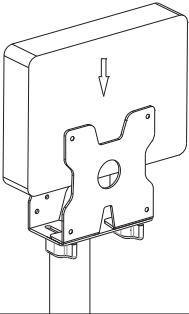




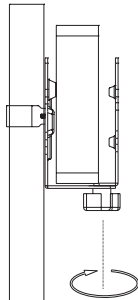
**Step 3**

- a. Attach Thin Client to brackets.
- Secure Thin Client.
- b. Loosen knobs.
- c. Push brackets together.
- d. Tighten knobs.

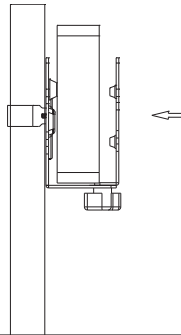
a



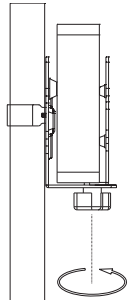
b



c



d

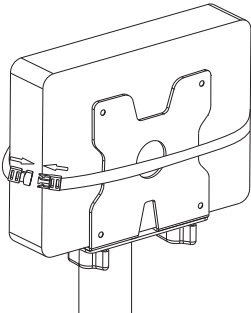


**Step 4**

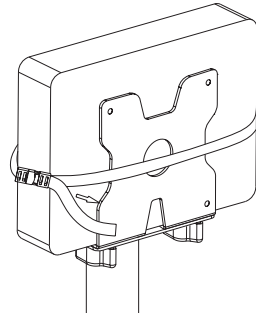
**If you want to use the optional strap and buckle.**

- a. Wrap the strap around the brackets and Thin Client then clip buckle together.
- b. Tighten strap.

a

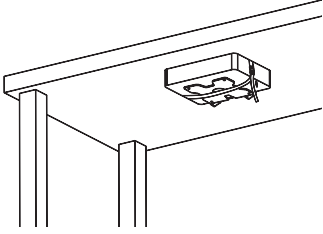


b

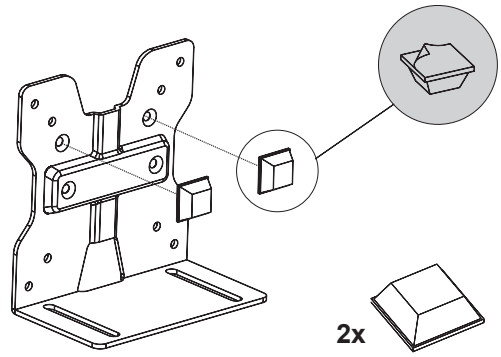
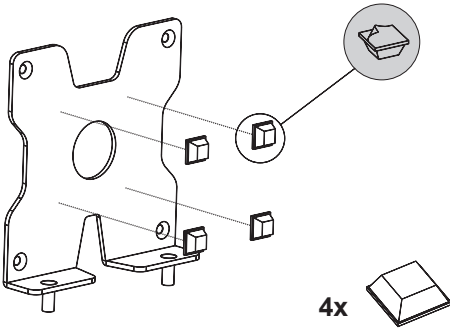




# Install under desktop

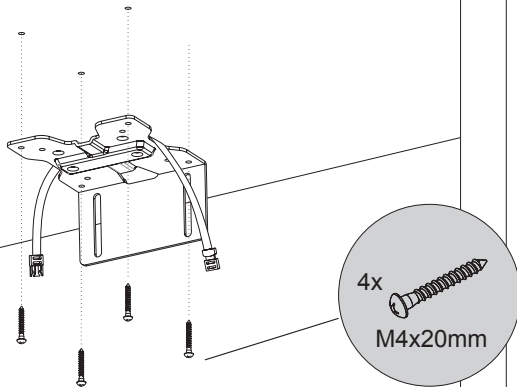


## Step 1 Attach Rubber Pads as shown.

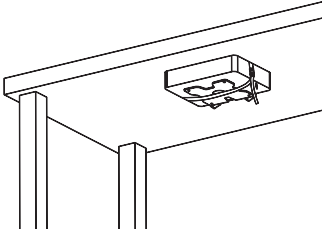


## Step 2 Attach Bracket A as shown.

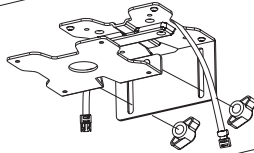
NOTE: Strap is optional, if you want to use the provided strap, please add it since this step.



## Install under desktop

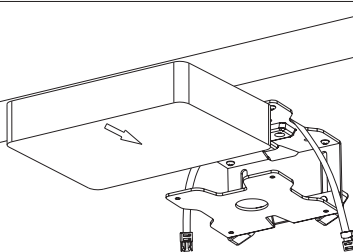


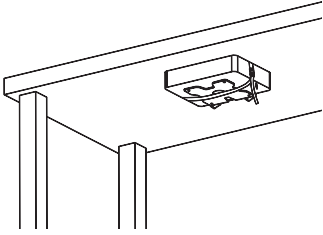
### Step 3 Attach Bracket B.



2x

### Step 4 Attach Thin Client.

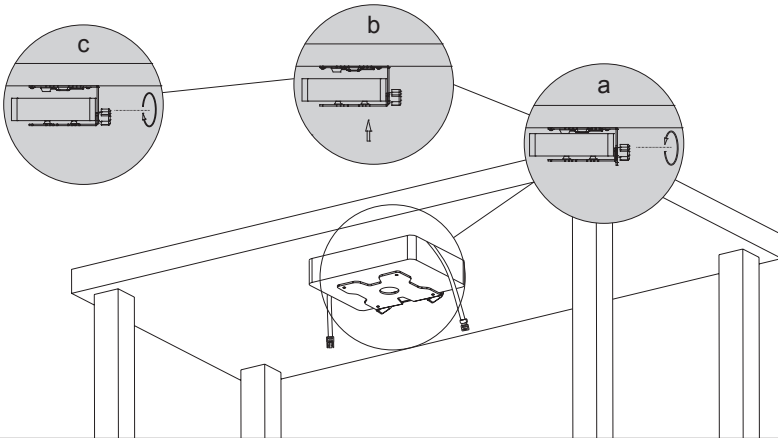




**Step 5**

**Secure Thin Client.**

- a. Loosen knobs.
- b. Push brackets together.
- c. Tighten knobs.



**Step 6**

**If you are using the optional strap and buckle:**

- a. Wrap the strap around the brackets and Thin Client then clip buckle together.
- b. Tighten strap.

