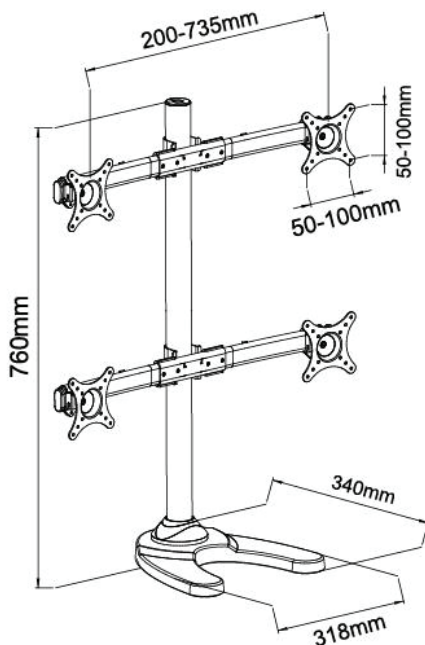


## SPEED Curved Four Monitor Desk Stand

Heavy gauge steel construction with weighted base for maximum stability. Simple 2 screw height adjustable design. Monitor cables can be hidden in the stand for simple cable management. Independent tilt, swivel and pivot system for each monitor for maximum ergonomic comfort.

- Up to 27" screen per mount
- VESA 100x100
- 10kg Max per mount
- ±15 Degree Tilt
- ±15 Swivel
- 360 Degree Rotate
- Colour: Black
- Lifetime Warranty



Model No.	CURVE-Q-STAND
Max VESA	100 x 100
Monitor Size	13" - 27"
Supported weight	10kg per mount
Tilt	± 15 degree
Swivel	±15 degree
Rotate	360 degrees
Pole Diameter	48mm
Pole Height	760mm
Arm Span	735mm
Base Type	Stand
Stand Type	V-shape, Solid metal with plastic cover
Material	Steel & Aluminium
Unit Weight	10.4 kg
Finish	Powder Coating
Colour	Black
Pack Dimensions	130mm x 350mm x 785mm
Pack Weight	11.2kg
Barcode	3888000343375