

SPEED Curved Six Monitor Desk Stand

Heavy gauge steel construction with weighted base for maximum stability. Simple 2 screw height adjustable design. Monitor cables can be hidden in the stand for simple cable management. Independent tilt, swivel and pivot system for each monitor for maximum ergonomic comfort.

- Up to 27" screen per mount
- VESA 100x100
- 10kg Max per mount
- ±15 Degree Tilt
- ±15 Swivel
- 360 Degree Rotate
- Colour: Black
- Lifetime Warranty



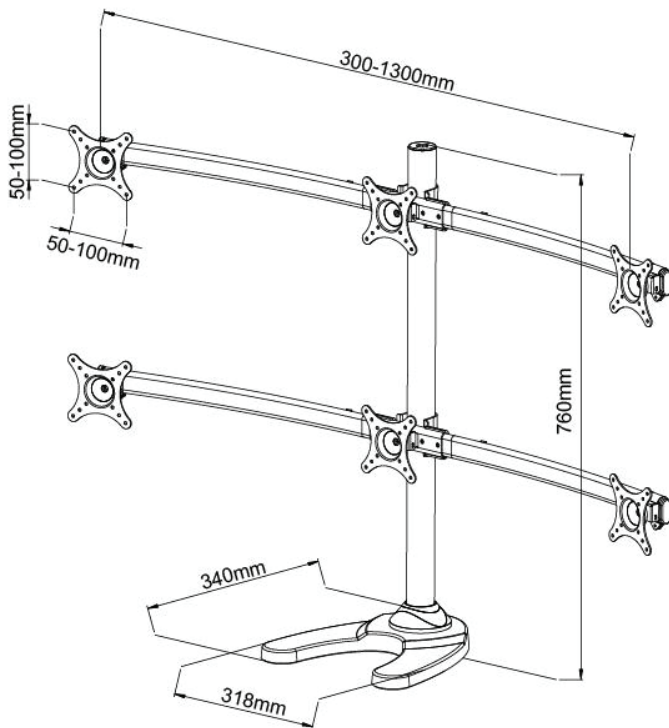


13" - 27"



Max.
10 kg
(22 lbs)

VESA
100 x 100



Model No.	CURVE-H-STAND
Max VESA	100 x 100
Monitor Size	13"-27"
Supported weight	10kg per mount
Tilt	± 15 degree
Swivel	±15 degree
Rotate	360 degree
Pole Diameter	48mm
Pole Height	760mm
Arm Span	1300mm
Base Type	Stand
Stand Type	V-shape, Solid metal with plastic cover
Material	Steel & Aluminium
Unit Weight	12.8 kg
Finish	Powder Coating
Colour	Black
Pack Dimensions	130mm x 350mm x 785mm
Pack Weight	13.8kg
Barcode	3888000343481

SPEED brackets and mounts are covered by a lifetime warranty that protects the consumer against faulty materials or workmanship for the life of the product. This guarantee does not cover abuse, misuse, overloading, neglect of normal maintenance and/or wear and tear. Each SPEED branded bracket and mount is designed and manufactured for a specific purpose, and if used for purposes other than the intended purpose they will not be covered by this guarantee. The benefits conferred by this guarantee are in addition to the rights and guarantees covered by The Australian Consumer Law (ACL). Mounts and brackets which fail due to manufacturing defects or material faults may be returned to the place of purchase for replacement within a reasonable time-frame.